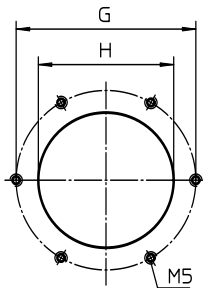
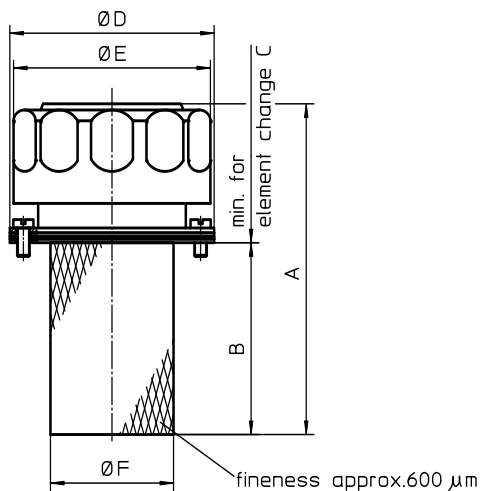


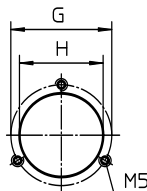
BREATHER FILTER

Series EBF 30 and 50, TBF 3/4, BF

Sheet No.
6002 F



bore draft EBF 50



bore draft EBF 30

1. Type index:

1.1. Complete filter: (ordering example)

EBF. 50. 10P. V1

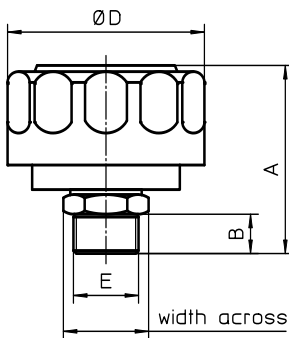
1	2	3	4
---	---	---	---

- 1 series:
EBF = breather filter
- 2 nominal size: 30, 50
- 3 filter-material and filter-fineness:
10 P = 10 µm paper
- 4 internal valve:
- = without
V 1 = preload valve 0,35 bar ± 10 %, only for nominal size 50 available

2. Dimensions:

type	A	B	C	D	E	F	G	H	Q1	Q2	weight kg
EBF 30	111	63	80	52	46	29	41	34	200	300	0,1
EBF 50	134	78	100	83	80	50	73	55	600	1000	0,3

Q1 = air flow rate l/min, with Δp 0,01 bar
Q2 = air flow rate l/min, with Δp 0,03 bar



1. Type index:

1.1. Complete filter: (ordering example)

TBF. 3/4 . 3P

1	2	3
---	---	---

- 1 series:
TBF = tank breather filter
- 2 nominal size: connection G ¾
- 3 filter-fineness:
3P = 3 µm paper

2. Dimensions:

type	A	B	D	E	width across	Q1	Q2	weight kg
TBF ¾	71	16	80	G ¾ A	30	300	600	0,3

Q1 = air flow rate l/min, with Δp 0,01 bar
Q2 = air flow rate l/min, with Δp 0,03 bar

1. Type index:

1.1. Complete filter: (ordering example)

BF. G1

1	2
---	---

- 1 series:
BF = breather filter
- 2 connection size: G ¼, G ½, G1

2. Dimensions:

type	DN	A	B	C	D	Q in l/min
BF G ¼	8	G ¼	30	10	30	70
BF G ½	15	G ½	30	8	31	100
BF G 1	25	G 1	37	10	42	400

Q = flow rate of air l/min, filter-fineness 40 µm